

CONNECTING HOMES

TEN-FWB16 - Outdoor, IP66

# enlighten TEN-FWB16 - FTTH Wall Enclosure

The TEN-FWB16 is a small versatile enclosure that supports fibre splicing, splitting and adapters for customer connections. It supports pass through cabling & ducts with a unique gland that allows drop in from the top. With capacity for 18 splices, 4 adapters and 2 splitters, this IP66 enclosure is suitable for a wide variety of applications.

## Features

- Suitable for Outdoors mounting, IP66 rated
- Hinged lid with secure catches and optional locking screw
- Supports 16 mm cable /tube entrance and pass through
- New gland design allowing cable/tube assembly from top
- Baseplate for fibre and retention management
- Hinged tray supporting 18 fusion splices
- Clip on tray lid to protect splices
- 4 SC/Dual LC adapters positions
- Positions for 2 splitters (60x4x7mm)

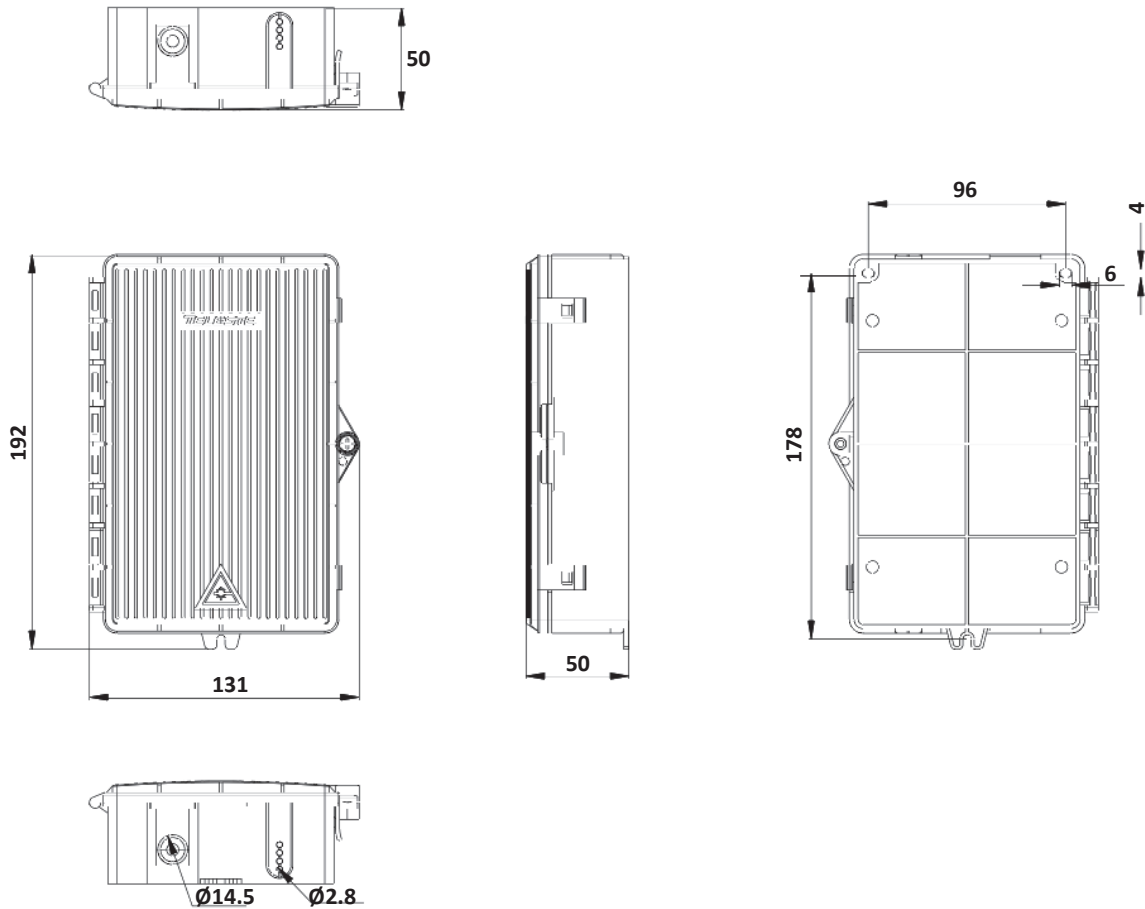


**TELESTE**

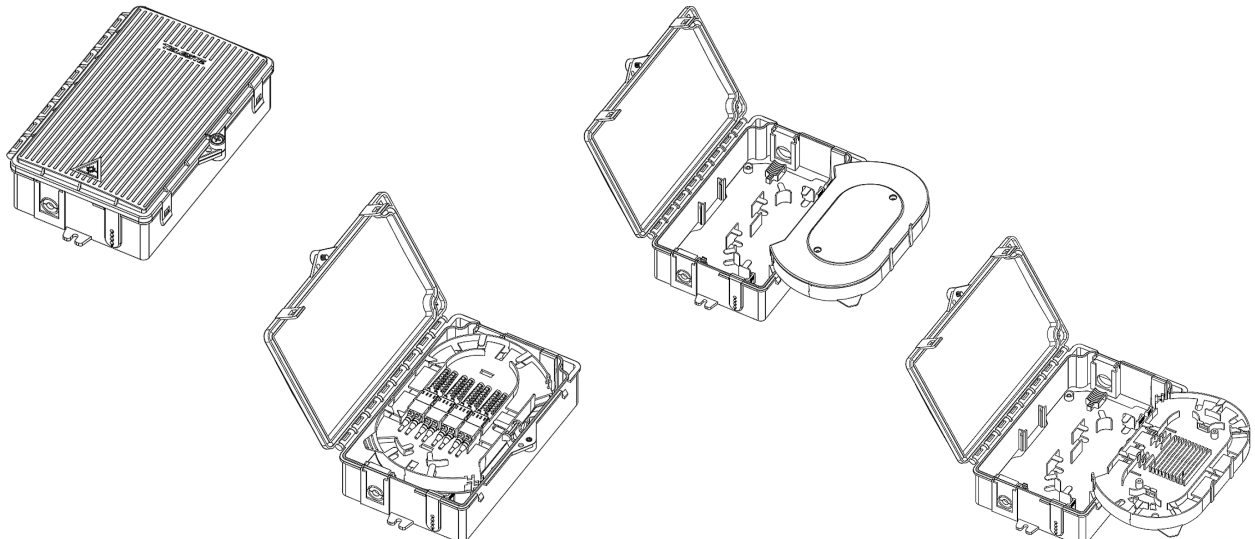
# enlighten FTTx PASSIVES / FTTH WALL ENCLOSURE SERIES

GENERAL			
<b>Entry ports</b>	2 ports Ø6-16mm (main) 8 ports Ø2-4mm or 2 ports Ø5-7mm (drop)	<b>Number of splices</b>	18
<b>Dimension (LxWxH)</b>	192 x 131 x 50 mm	<b>IP rating</b>	IP66
<b>Material</b>	Thermoplastic	<b>Supported adaptors</b>	SC sx TEN-A12SGTN (APC) & TEN-A22SBTN (UPC) LC dx TEN-A32DGBN (APC) & TEN-A42DBBN (UPC)
<b>Material Flammability Rating</b>	HB (UL94)	<b>UV Resistance</b>	UV stabilized
<b>Splitter support (Dim / type)</b>	Housing: 2pcs (4x7x60mm) 2pcs upto 1:8 (900µm) 1pcs upto 1:16 (250µm)	<b>Colour</b>	White (RAL9010), Grey (RAL7035) or Black (RAL9005)
<b>Operating temperature</b>	-40 - +85 °C		

## MECHANICAL LAYOUT

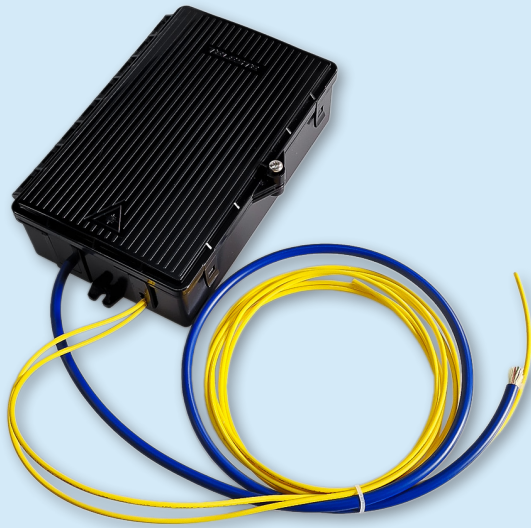


## SPLIT VIEWS



## enlighten FTTx PASSIVES / FTTH WALL ENCLOSURE SERIES

### IMAGE GALLERY



Durable IP66-rated enclosure designed for seamless external and internal customer premise entry, or as a secure riser enclosure, featuring an innovative gland design that offers efficient vertical routing of cables and tubes.



Equipped to ensure the safe and simple connection of fibre cables, we offer this customer premises enclosure in several colours, making the overall installation visually appealing in any type of building.

### ACCESSORIES INCLUDED IN ACCESSORY BAG

An accessory bag is shipped together with each enclosure. Each bag includes the following items:

- All necessary rubber glands
- Heat shrink splice protectors
- Fixing wall screws
- Wall fixings
- Cable ties



### ORDERING INFORMATION

#### P/N

#### DESCRIPTION

TEN-FWB16-0	FTTH Wall Box 16, without Adapters or Pigtailed
TEN-FWB16-1SCAP	FTTH Wall Box 16, with SC/APC Adapter and SC/APC Pigtail (G.657.A1)
TEN-FWB16-2SCAP	FTTH Wall Box 16, with 2 x SC/APC Adapter and 2 x SC/APC Pigtail (G.657.A1)
TEN-FWB16-2LCAP	FTTH Wall Box 16, with 1 x LC/APC duplex Adapter and 2 x LC/APC Pigtail (G.657.A1)
TEN-FWB16-4LCAP	FTTH Wall Box 16, with 2 x LC/APC duplex Adapter and 4 x LC/APC Pigtail (G.657.A1)
TEN-FWB16-8LCAP	FTTH Wall Box 16, with 4 x LC/APC duplex Adapter and 8 x LC/APC Pigtail (G.657.A1)

# TELESTE

TELESTE CORPORATION

[www.teleste.com](http://www.teleste.com)

Enlighten FTTH Wall Enclosure TEN-FWB16\_241219

Copyright © 2024 Teleste Corporation. All rights reserved. Teleste and the Teleste logo are registered trademarks of Teleste Corporation. Other product and service marks are property of their respective owners.

Teleste reserves the right to make changes to any features and specifications of the products without prior notice. Although the information in this document has been reproduced in good faith, the contents of this document are provided "as is". Teleste makes no warranties of any kind in relation to the accuracy, reliability or contents of this document, except as required by applicable law.