

CONNECTING HOMES

enlighten TEN-FWO12E CUSTOMER ENTRY ENCLOSURE

The TEN-FWO12E is an external version of the TEN-FWO12 FTTH Wall Outlet, which is designed to allow individual fibres to be exited to serve a property via a window cut in a fibre cable. It is designed for outdoor mounting applications, and is IP66 rated.

Features

- Hinged lid with secure catches and optional locking screw, IP66 rated
- Supports 2 x SC Simplex and LC Duplex adaptors
- Supports 12 splices with either fusion or crimp protectors
- Supports up to 7 mm pass through cable with strain relief management
- Supports up to 4 customer drops from 2 cable entry ports
- Available in white, black and grey colour

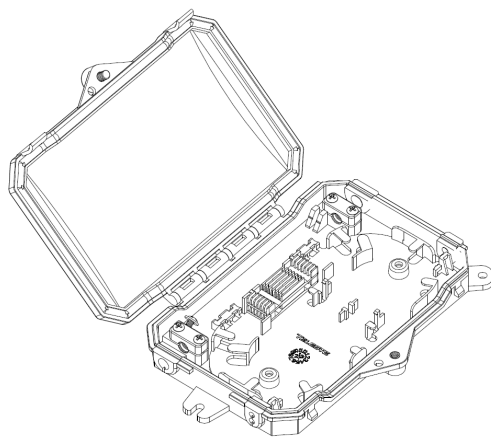
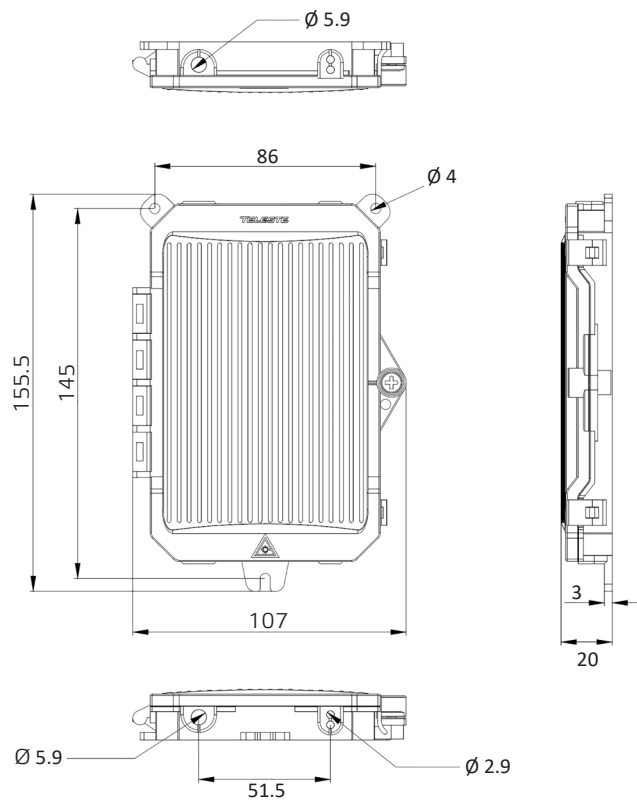


TELESTE

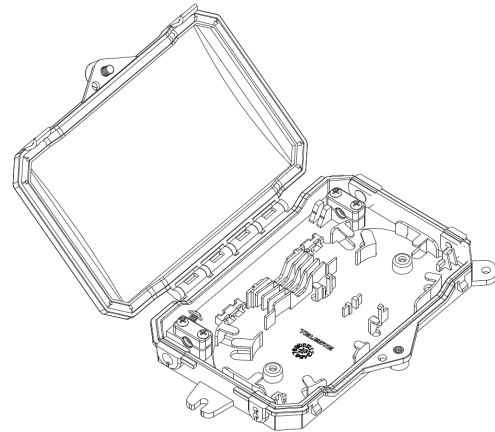
enlighten FTTx PASSIVES / OUTDOOR CUSTOMER ENTRY ENCLOSURE

GENERAL			
Entry ports	2 ports Ø5-7mm (main) 4 ports Ø2-4mm (drop)	Number of splices	12
Dimension (LxWxH)	155.5 x 107 x 20 mm	IP Rating	IP66
Material	Thermoplastic	Supported Adaptors	SC sx TEN-A12SGTN (APC) & TEN-A22SBTN (UPC) LC dx TEN-A32DGBN (APC) & TEN-A42DBBN (UPC)
Material Flammability Rating	HB (UL94)	UV Resistance	UV stabilized
Splitter support (Dim / type)	Housing: 1pcs (4x7x50mm) 1pcs upto 1:8 (900µm) 1pcs upto 1:8 (250µm)	Colour	White (RAL9010), Grey (RAL7035) or Black RAL9005
Operating Temperature	-40 - +85 °C		

MECHANICAL LAYOUT



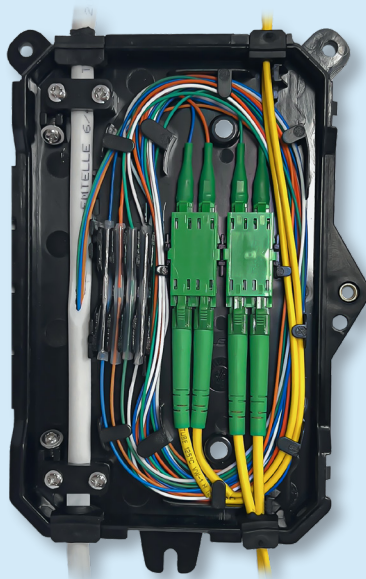
TEN-FWO12EC - Crimp Protector version



TEN-FWO12EF - Fusion Protector version

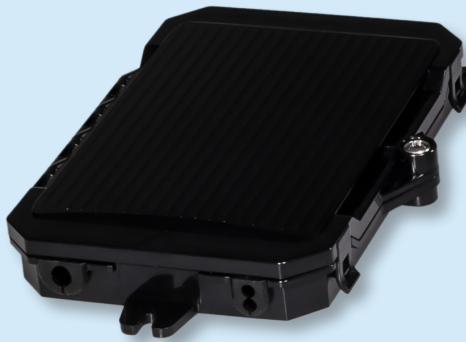
enlighten FTTx PASSIVES / OUTDOOR CUSTOMER ENTRY ENCLOSURE

IMAGE GALLERY



Engineered with precision, the TEN-FWO12E accommodates cable pass-through with robust strain relief management, while allowing individual fibers to be neatly exited through a window cut.

Equipped to ensure the safe and simple connection of fibre cables, we offer this customer premises enclosure in several colours, making the overall installation visually appealing in any type of building.



ORDERING INFORMATION

P/N	DESCRIPTION
TEN-FWO12EF-0	External version of FTTH Wall Outlet 12, fusion protector version, without Adapters or Pigtailed
TEN-FWO12EF-1LCAP	External version of FTTH Wall Outlet 12, fusion protector version, with LC/APC duplex Adapter and LC/APC Pigtail (G.657.A1)
TEN-FWO12EF-1SCAP	External version of FTTH Wall Outlet 12, fusion protector version, with SC/APC Adapter and SC/APC Pigtail (G.657.A1)
TEN-FWO12EF-2LCAP	External version of FTTH Wall Outlet 12, fusion protector version, with 2 x LC/APC duplex Adapter and 2 x LC/APC Pigtail (G.657.A1)
TEN-FWO12EF-2SCAP	External version of FTTH Wall Outlet 12, fusion protector version, with 2 x SC/APC Adapter and 2 x SC/APC Pigtail (G.657.A1)
TEN-FWO12EC-0	External version of FTTH Wall Outlet 12, crimp protector version, without Adapters or Pigtailed
TEN-FWO12EC-1LCAP	External version of FTTH Wall Outlet 12, crimp protector version, with LC/APC duplex Adapter and LC/APC Pigtail (G.657.A1)
TEN-FWO12EC-1SCAP	External version of FTTH Wall Outlet 12, crimp protector version, with SC/APC Adapter and SC/APC Pigtail (G.657.A1)
TEN-FWO12EC-2LCAP	External version of FTTH Wall Outlet 12, crimp protector version, with 2 x LC/APC duplex Adapter and 2 x LC/APC Pigtail (G.657.A1)
TEN-FWO12EC-2SCAP	External version of FTTH Wall Outlet 12, crimp protector version, with 2 x SC/APC Adapter and 2 x SC/APC Pigtail (G.657.A1)

TELESTE

TELESTE CORPORATION

www.teleste.com

Enlighten Fibre Outlet Series TEN-FWO12E_241219

Copyright © 2024 Teleste Corporation. All rights reserved. Teleste and the Teleste logo are registered trademarks of Teleste Corporation. Other product and service marks are property of their respective owners.

Teleste reserves the right to make changes to any features and specifications of the products without prior notice. Although the information in this document has been reproduced in good faith, the contents of this document are provided "as is". Teleste makes no warranties of any kind in relation to the accuracy, reliability or contents of this document, except as required by applicable law.