



TEN-FWO12E - OUTDOOR FTTH OUTLET

Installation Guide

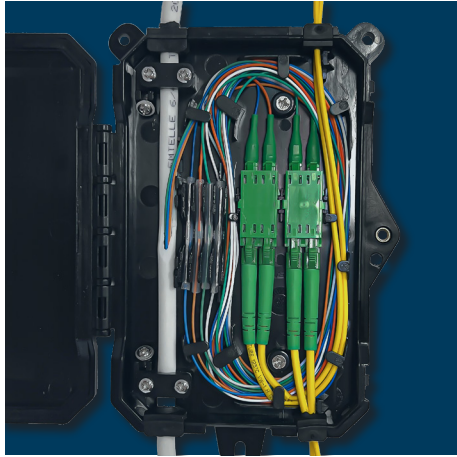
Rev. 1.00/06.2024

TELESTE

Contents

Getting Started.....	1
Introduction	1
Package Contents.....	1
About the TEN-FWO12E Outdoor FTTH Outlet	2
Product Specification - General	2
Mechanical Layout	2
Installation Instructions	3
General Preparations and Precautions	3
Installation Guidelines	3
Mounting Guidance	9
Legal Declarations	10

Getting Started



TEN-FWO12E - Outdoor FTTH Outlet

Introduction

Thank you for choosing this Teleste product. The TEN-FWO12E is an external version of the TEN-FWO12 FTTH Wall Outlet. It is designed to allow individual fibres to be exited to serve a property via a window cut in a fibre cable and it is engineered for outdoor mounting applications, being IP66 rated. This guide will walk you through all the steps for a successful installation.

Package Contents

Kindly unpack the TEN-FWO12E and confirm that all items are present, as illustrated in Figure 1. Should any items be missing, please promptly contact your local seller for assistance.



Figure 1 - Package contents

- TEN-FWO12E enclosure
- Cable ties
- Splice protectors
- Fixing wall screws
- Wall fixings
- Splice holders

About the TEN-FWO12E Outdoor FTTH Outlet

The Outdoor FTTH Outlet TEN-FWO12E is engineered for easy installation and specifically designed for outdoor mounting applications. It boasts an IP66 rating, ensuring that the connection of fibre cables is safe and simple. The outlet supports SC simplex and LC duplex adapters, providing flexibility in connectivity options, and includes provisions for spare fibre management. Additionally, the outlet enhances the overall installation aesthetics, making it a practical and visually appealing choice for outdoor fibre optic connections.

Product Specification - General

Dimension (LxWxH)	155.5 x 107 x 20 mm	IP rating	IP66
Material	PC + ABS	Supported adaptors	SC, LC
Operating Temperature	-40 - +85 °C	Colour	White or Black

Mechanical Layout

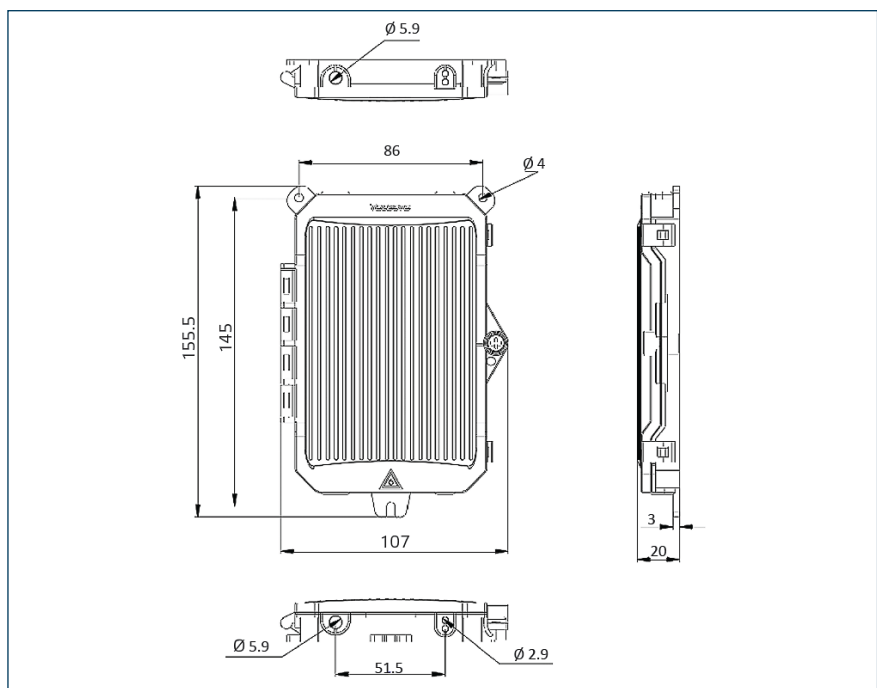


Figure 2 - Mechanical layout

Installation Instructions



Warning! *Ensure to follow basic safety precautions to reduce risk of fire, electrical shock, and personal injury.*

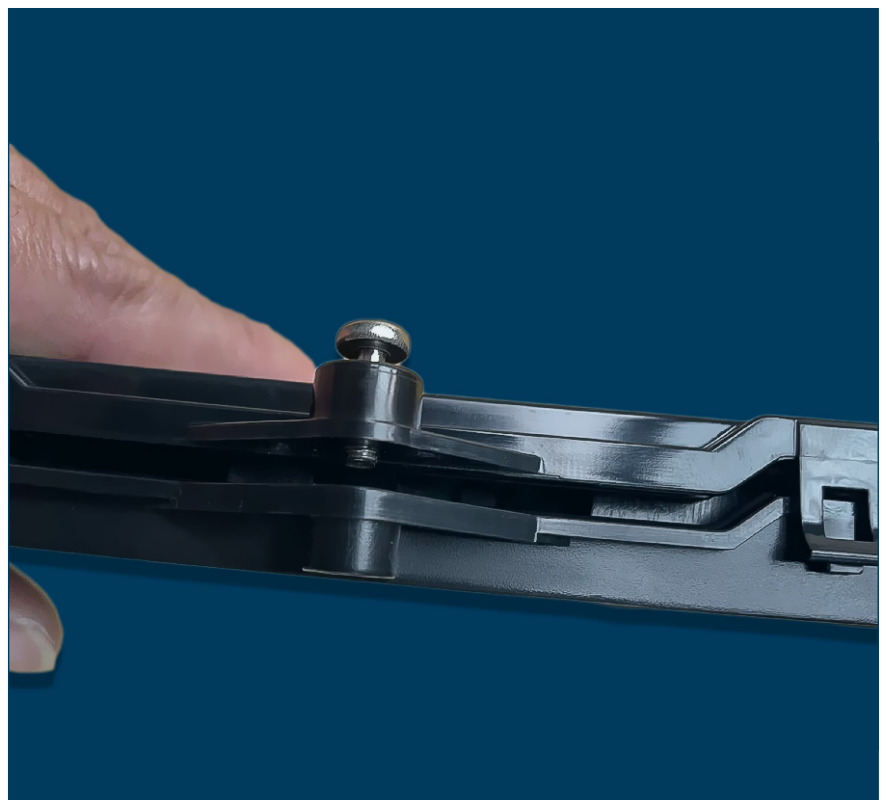
Thank you for choosing this Teleste product. Please take a moment and carefully read these instructions through before installing the product.

General Preparations and Precautions

1. Check the Outdoor FTTH Outlet, cable items and all other components for any damages before installation.
2. Make sure to keep all components dry and clean for the installation.
3. Keep the working environment clean (dry and no dust) and flat for the installation.
4. Standard instruments and tools should be used during the installation.

Installation Guidelines

1. To begin, use an applicable cross screwdriver to turn the anti-theft screw counterclockwise and loosen it from the base of the enclosure. Next, manually release the latches on the box body. Once the latches are released, you can open the upper cover easily. Ensure all steps are followed carefully to avoid damage and preserve the enclosure's security features.



Picture 1



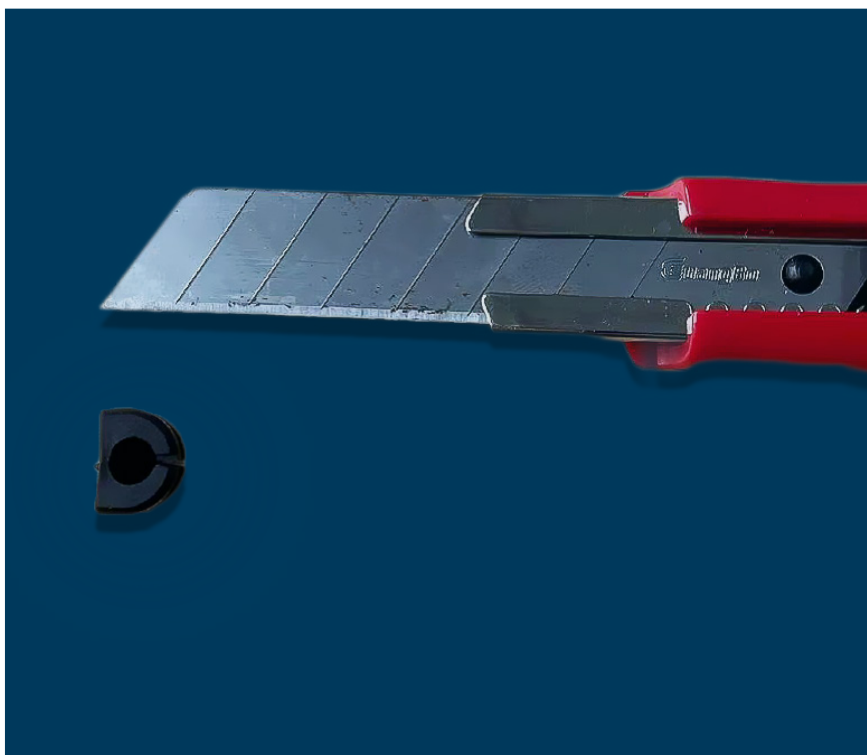
All necessary safety instructions must be followed during the installation and maintenance operations. The safety requirements for class 1M lasers are detailed in EN60825-1.

2. Please install the required optical adapters in the designated slots (refer to picture 2). The enclosure supports both SC and LC adapters, allowing for versatile optical connection setups.



Picture 2

3. Identify the rubber grommet that matches the incoming cable and carefully cut it with a utility knife.



Picture 3



Warning! Never look directly into the end of a fibre or a fibre connector that may be carrying laser light. Laser light, visible or invisible, can seriously injure eyes or even cause blindness.

- 4. Choose the appropriate fibre splice holder, which organizes, mechanically protects, and provides strain relief for the heat shrink tubing. Clip the component into place.

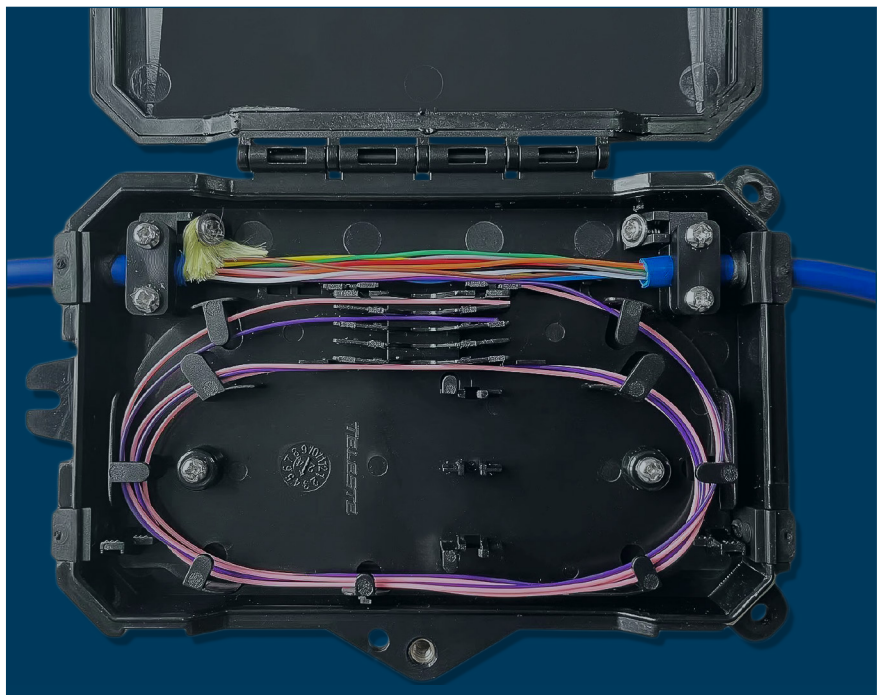


Picture 4

- 5. Thread the incoming cable through the rubber grommet. Secure the cable with the clamp mechanism and fasten its strength member using the nearby screw beside the opening. These steps ensure the optical fibre cable is securely anchored within the connection box, maintaining the integrity of the optical connections and protecting the fibres from strain and potential damage.

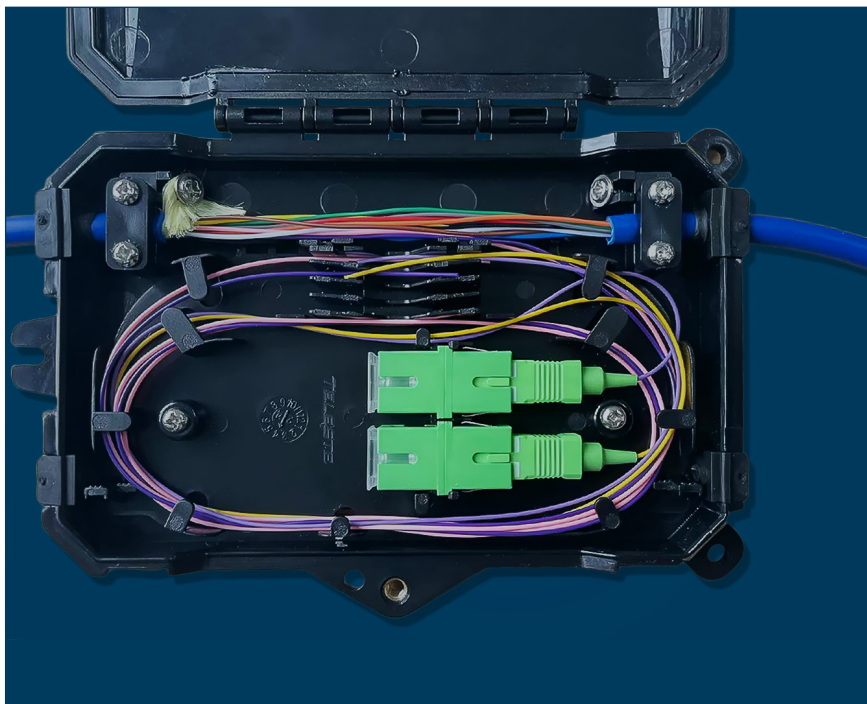


Note! Optical fibres should not be damaged. Cut the damaged fibre, and re-strip the fibre if any damage occurs.



Picture 5

6. Install the 0.9 mm pigtail into the adapter. Splice the drop cable with the pigtail, organise and coil any excess cabling around the radius limiter, then place the sleeve in the splice holder, see Picture 6.



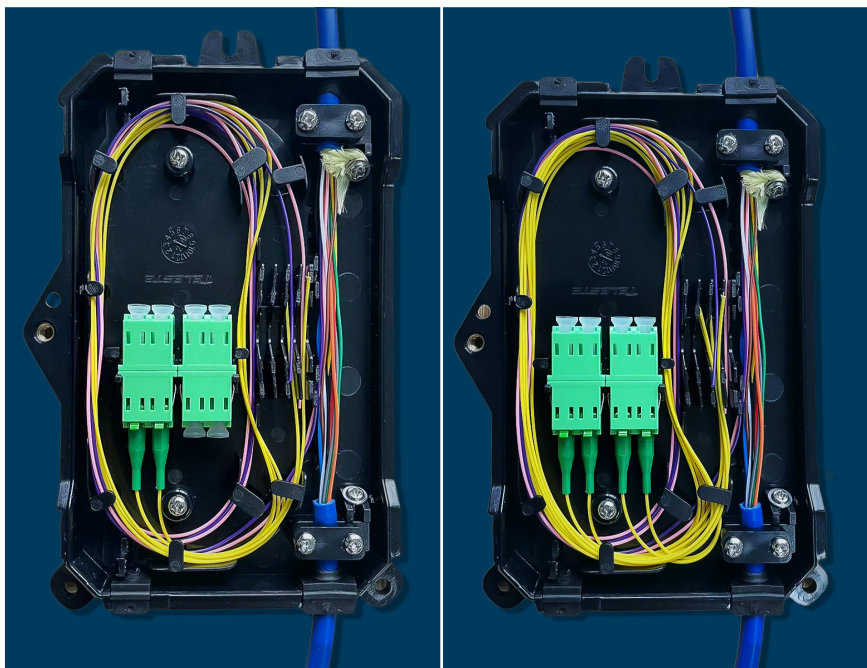
Picture 6

7. Identify the rubber grommet that matches the outgoing cable and carefully cut it with a utility knife.

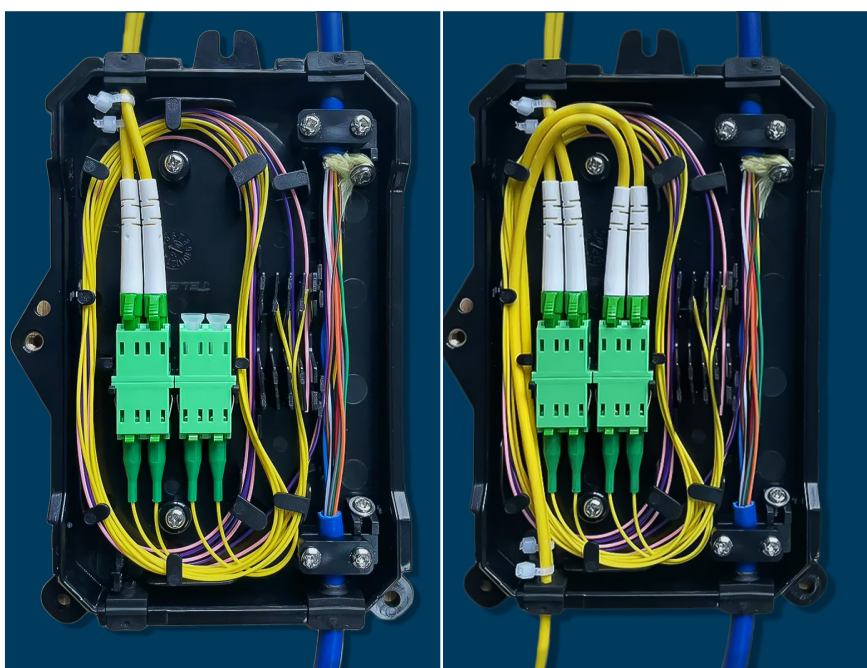


Picture 7

- 8. Connect the jumper cables, thread them through the rubber grommets, and secure the optical fibre cables with nylon cable ties to ensure they remain firmly in place. Be careful not to overtighten the ties. This method helps maintain reliable optical connections by preventing stress and movement that could potentially damage the fibres over time. Pictures 8 and 9 illustrate the completed installation, providing visual confirmation of the setup.

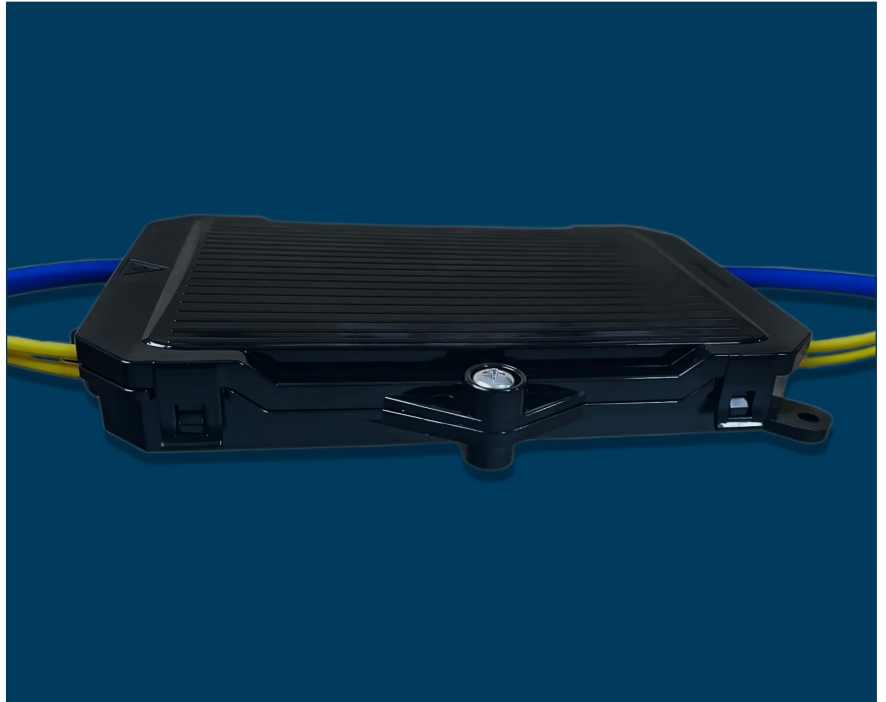


Picture 8

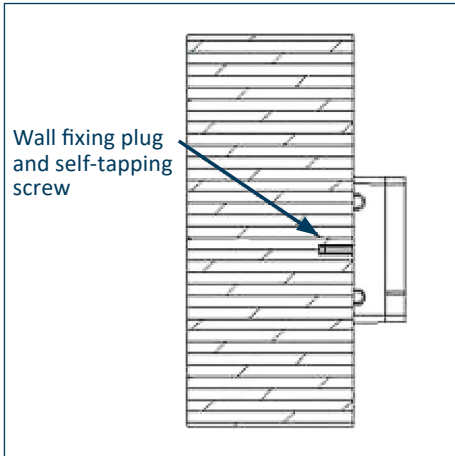


Picture 9

9. Close the box body and use a screwdriver to lock the anti-theft screw by turning it clockwise. Ensure the box is securely fastened to prevent unauthorized access and to maintain the integrity of the optical connections.



Picture 10

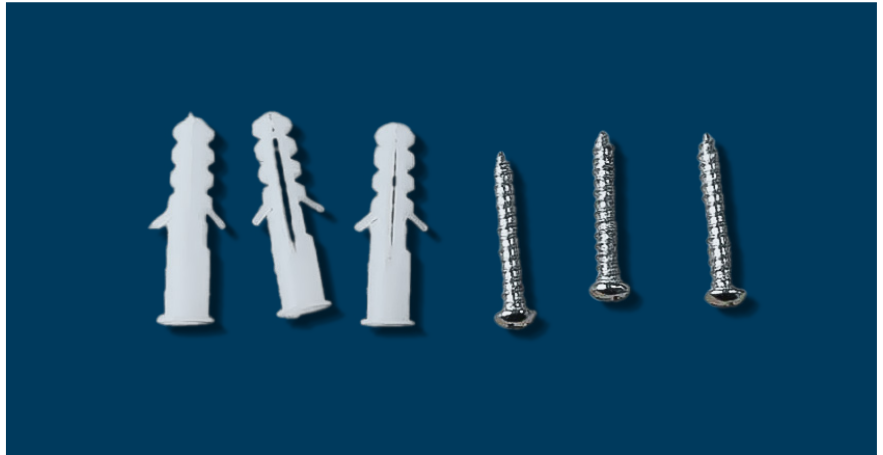


TEN-FWO12E - Wall mounted.

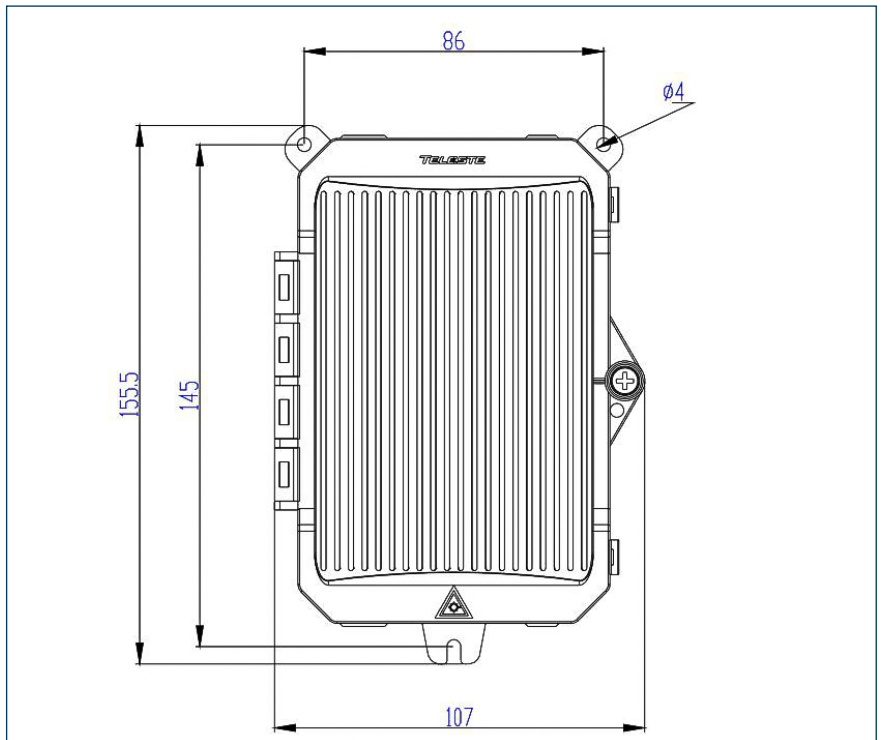
Mounting Guidance

To successfully complete a wall mount installation, follow the guidance steps outlined below. Ensure you have all necessary tools and materials on hand before beginning the process.

1. Drill holes in the wall at the designated locations. Insert the wall fixing plugs into these holes. Position the box so that it aligns perfectly with the drilled holes. For additional visual guidance, please refer to picture 12.
2. Once aligned, secure the box in place by inserting and tightening the self-tapping screws.



Picture 11



Picture 12

Legal Declarations

Copyright © 2024 Teleste Corporation. All rights reserved.

TELESTE is a registered trademark of Teleste Corporation. Other product and service marks are property of their respective owners.

This document is protected by copyright laws. Unauthorized distribution or reproduction of this document is strictly prohibited.

Teleste reserves the right to make changes to any of the products described in this document without notice and all specifications are subject to change without notice. Current product specifications are stated in the latest versions of detailed product specifications.

To the maximum extent permitted by applicable law, under no circumstances shall Teleste be responsible for any loss of data or income or any special, incidental, consequential or indirect damages howsoever caused.

The contents of this document are provided “as is”. Except as required by applicable law, no warranties of any kind, either express or implied, including, but not limited to, the implied warranties of merchantability and fitness for a particular purpose, are made in relation to the accuracy, reliability or contents of this document.

Teleste reserves the right to revise this document or withdraw it at any time without notice.



TELESTE

TELESTE CORPORATION

P.O.Box 323

FI-20101 Turku, Finland

www.teleste.com

Copyright © 2024 Teleste Corporation. All rights reserved. Teleste and the Teleste logo are registered trademarks of Teleste Corporation. Other product and service marks are property of their respective owners. Teleste reserves the right to make changes to any features and specifications of the products without prior notice. Although the information in this document has been reproduced in good faith, the contents of this document are provided "as is". Teleste makes no warranties of any kind in relation to the accuracy, reliability or contents of this document, except as required by applicable law.