



Compact FTTH Interface Box TEN-FWB7 Installation Guide

Rev. 1.00/02.2024

Contents

Getting Started.....	1
Introduction	1
Package Contents.....	1
About the TEN-FWB7 Fibre Outlet.....	2
Product Specification	2
Mechanical Layout	2
Installation Instructions	3
General Preparations and Precautions	3
Installation Guidelines	3
Mounting Guidance	7
Legal Declarations	8

Getting Started



TEN-FWB7 - Interface Splice-Box - Lid Open

Introduction

Thank you for choosing this Compact FTTH Interface Box from Teleste. TEN-FWB7 is conveniently designed to offer swift installation and maintenance, it features a single hinged splice tray for easy access during maintenance. The box has been specifically designed to facilitate a quick and seamless FTTH roll-out. We appreciate your choice!

Package Contents

Kindly unpack the TEN-FWB7 and confirm that all items are present, as illustrated in Figure 1. Should any items be missing, please promptly contact your local seller for assistance.



Figure 1 - Package contents

About the TEN-FWB7 Fibre Outlet

The splice tray of the TEN-FWB7 can accommodate up to 8 fusion heat shrink splice protectors. Additionally, it can be equipped with PLC 1:2 or 1:4 splitters. Customer drop cables or patch cords exit from the bottom of the unit and are sealed using a split grommet. The box has a removable cover for easy access and is fitted with a lock for enhanced security.

- Conforms to IP55 - supports both outdoor and indoor installations
- Manufactured of UV stabilised material - optimal for outdoor installations
- Input cable enters the box from the bottom. Cables up to 14 mm and tubes up to 14 mm in diameter can be accommodated
- Fibres are bend managed to a 30 mm minimum bend radius.

Product Specification			
Number of splice trays	1	Maximum fibre capacity	8
Maximum diameter of input tube (mm)	14	Maximum no. of input cables	1
Maximum no. of output cables	4	Max. diameter of output cable (mm)	7
IP rating	55	Operating temperature	-40 - + 85 °C
Material	PC + ABS	Colour	RAL 7035
Material	PC + ABS	Colour	RAL 7035

Mechanical Layout

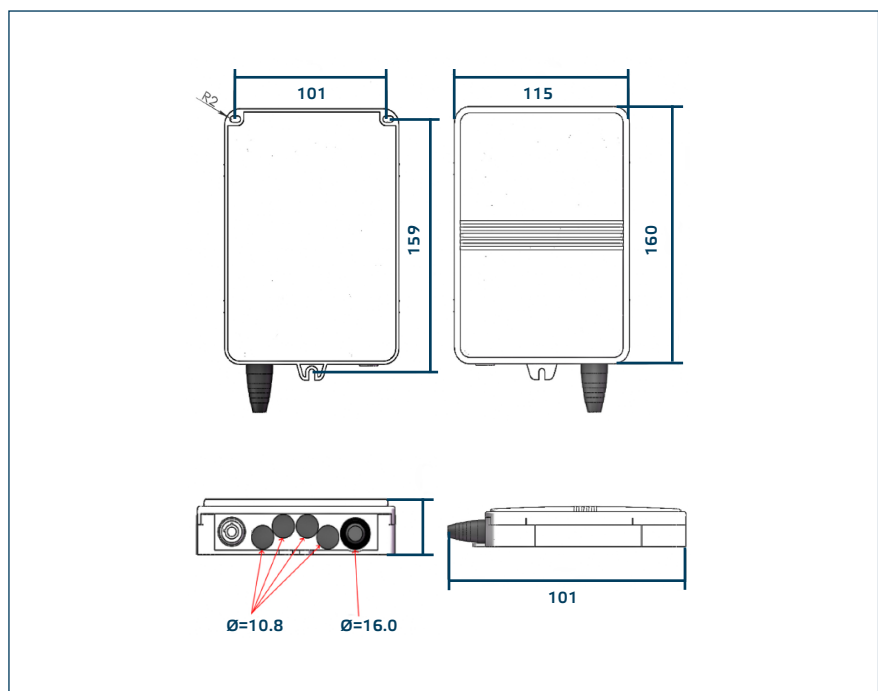


Figure 2 - Mechanical layout

Installation Instructions



Warning! Ensure to follow basic safety precautions to reduce risk of fire, electrical shock, and personal injury.

Thank you for choosing this Teleste product. Please take a moment and carefully read these instructions through before installing the product.

General Preparations and Precautions

1. Check the Fibre Outlet, cable items and all other components for any damages before installation.
2. Make sure to keep all components dry and clean for the installation.
3. Keep the working environment clean (dry and no dust) and flat for the installation.
4. Standard instruments and tools should be used during the installation.

Installation Guidelines

1. Start by taking off the lid. Then cut the rubber gasket to fit your tube or cable. Finally, loosen the cable/tube clamp.



Picture 1

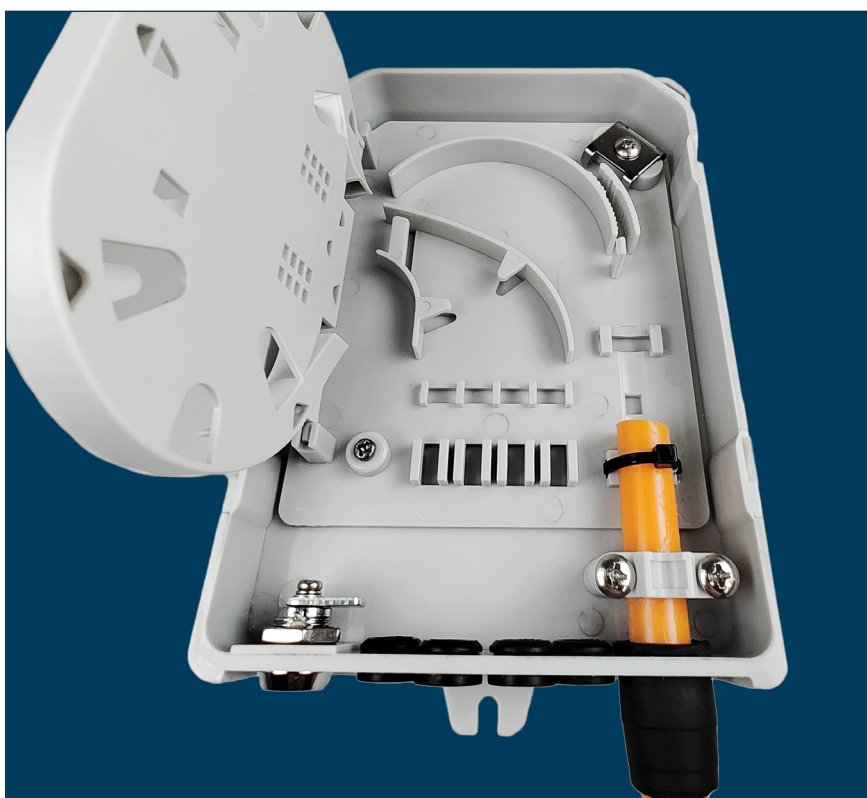


All necessary safety instructions must be followed during the installation and maintenance operations. The safety requirements for class 1M lasers are detailed in EN60825-1.



Picture 2

2. Insert the tube or cable into the gasket, then screw down the clamp to secure the fiber tube or cable. You can turn the clamp depending on the size of the cable/tube. Additionally, use a zip tie to help secure the cable/tube. Refer to Picture 2 for cable insertion and Picture 3 for tube insertion.



Picture 3



Warning! Never look directly into the end of a fibre or a fibre connector that may be carrying laser light. Laser light, visible or invisible, can seriously injure eyes or even cause blindness.

3. After stripping the incoming cable, secure it to the top right corner bracket, see Pictures 4. Then route the fiber onto the tray, coil and adjust the length as you prefer to fit the splice holders, see Picture 5.



Picture 4



Picture 5



Note! Optical fibres should not be damaged. Cut the damaged fibre, and re-strip the fibre if an accident occurs.

4. Now its time to enter with the FTTH subscriber distribution cable. Make a tiny hole in the rubber gasket, press the cable through the rubber gasket. Secure the cable with a zip tie. Route the fiber(s) to the tray. Coil and adjust the length as you prefer to fit the splice holders. Splice the fiber and coil the fibers.



Picture 6

5. Complete the installation by putting the lid back on and locking the box with the key



Picture 7



TEN-FWB7 - Wall mounted.

Mounting Guidance

Position the box on the wall and mark the screw holes, as shown in the image to the left. Then, drill holes in the wall and insert expansion plugs (depending on the wall's material, you may not need expansion bolts). Align the box with the holes and secure it in place using bolts.

Legal Declarations

Copyright © 2024 Teleste Corporation. All rights reserved.

TELESTE is a registered trademark of Teleste Corporation. Other product and service marks are property of their respective owners.

This document is protected by copyright laws. Unauthorized distribution or reproduction of this document is strictly prohibited.

Teleste reserves the right to make changes to any of the products described in this document without notice and all specifications are subject to change without notice. Current product specifications are stated in the latest versions of detailed product specifications.

To the maximum extent permitted by applicable law, under no circumstances shall Teleste be responsible for any loss of data or income or any special, incidental, consequential or indirect damages howsoever caused.

The contents of this document are provided “as is”. Except as required by applicable law, no warranties of any kind, either express or implied, including, but not limited to, the implied warranties of merchantability and fitness for a particular purpose, are made in relation to the accuracy, reliability or contents of this document.

Teleste reserves the right to revise this document or withdraw it at any time without notice.



TELESTE

TELESTE CORPORATION

P.O.Box 323

FI-20101 Turku, Finland

www.teleste.com

Copyright © 2024 Teleste Corporation. All rights reserved. Teleste and the Teleste logo are registered trademarks of Teleste Corporation. Other product and service marks are property of their respective owners.

Teleste reserves the right to make changes to any features and specifications of the products without prior notice. Although the information in this document has been reproduced in good faith, the contents of this document are provided "as is". Teleste makes no warranties of any kind in relation to the accuracy, reliability or contents of this document, except as required by applicable law.